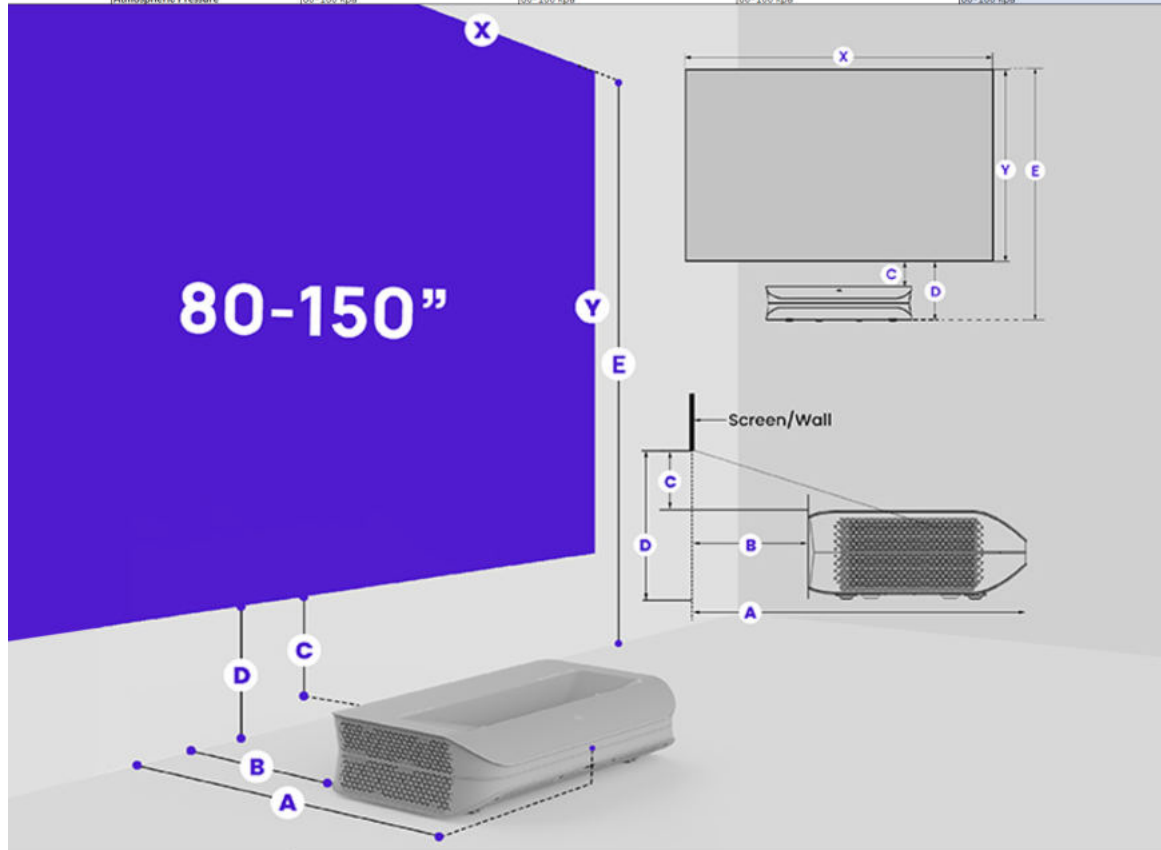


Specification

| | Model | LTV-2500 | LTV-3500 | LTV-3000 Pro | LTV-3500 Pro |
|--------------------------------|-----------------------|--|--|--|--|
| Platform | Display Technology | Ti 0.47-inch PICCO DMD | Ti 0.47-inch ECD DMD | Ti 0.47-inch PICCO DMD | Ti 0.47-inch ECD DMD |
| | Light Source | RGB Triple Laser w/o phosphor color wheel | RGB Triple Laser w/o phosphor color wheel | RGB Triple Laser w/o phosphor color wheel | RGB Triple Laser w/o phosphor color wheel |
| | Laser Life | 25,000+hours | 25,000+hours | 25,000+hours | 25,000+hours |
| | Software OS | Android 9.0 | Android 9.0 | Android 9.0 | Android 9.0 |
| Projection | RAM/EMMC | 3G/128G | 3G/128G | 3G/128G | 3G/128G |
| | Projection Size | 80-150 inch | 80-150 inch | 80-150 inch | 80-150 inch |
| | Lens | Ricoh F 2.0 pure glass lens with super sharpness | Ricoh F 2.0 pure glass lens with super sharpness | Ricoh F 2.0 pure glass lens with super sharpness | Ricoh F 2.0 pure glass lens with super sharpness |
| | Brightness | 2600 Peak Lumens 2000 ANSI Lumens | 3500 Peak Lumens 3300 ANSI Lumens | 3000 Peak Lumens 2400 ANSI Lumens | 3500 Peak Lumens 3300 ANSI Lumens |
| | Resolution | 4K@60Hz | 4K@60Hz | 4K@60Hz | 4K@60Hz |
| | Throw Ratio | 0.25:1 | 0.25:1 | 0.25:1 | 0.25:1 |
| | Color Space | 107% REC 2020 | 107% REC 2020 | 107% REC 2020 | 107% REC 2020 |
| | Contrast Ratio | 2500:1 | 2500:1 | 2500:1 | 2500:1 |
| | HDR | Dolby Vision, HDR 10+, HDR 10, HLG | Dolby Vision, HDR 10+, HDR 10, HLG | Dolby Vision, HDR 10+, HDR 10, HLG | Dolby Vision, HDR 10+, HDR 10, HLG |
| | 3D | Yes | Yes | Yes | Yes |
| | MEMC | Yes | Yes | Yes | Yes |
| | 24 FPS | Yes | Yes | Yes | Yes |
| | HDMI ARC | eARC | eARC | eARC | eARC |
| | HDMI Input Lag | 15 ms, 4K @ 60Hz 8 ms, 1080P @ 120Hz | 15 ms, 4K @ 60Hz 8 ms, 1080P @ 120Hz | 15 ms, 4K @ 60Hz 8 ms, 1080P @ 120Hz | 15 ms, 4K @ 60Hz 8 ms, 1080P @ 120Hz |
| | HDCP | HDCP2.2,HDCP1.4 | HDCP2.2,HDCP1.4 | HDCP2.2,HDCP1.4 | HDCP2.2,HDCP1.4 |
| | Wide Color Gamut(WCG) | Yes | Yes | Yes | Yes |
| | Electric Focus | Yes | Yes | Yes | Yes |
| Keystone Correction | 8 points | 8 points | 8 points | 8 points | |
| Auto Brightness Adjustment | Yes | Yes | Yes | Yes | |
| Laser Outlet Blocked Detection | Yes | Yes | Yes | Yes | |
| Eye Safety | Yes | Yes | Yes | Yes | |
| IP Control | No | No | PI Link, Control 4 and SAVANT | PI Link, Control 4 and SAVANT | |
| Audio & Noise | Audio Output Power | 36W (Stereo) | 36W (Stereo) | 36W (Stereo) | 36W (Stereo) |
| | Audio Performance | Dolby Atmos, DTS Virtual X | Dolby Atmos, DTS Virtual X | Dolby Atmos, DTS Virtual X | Dolby Atmos, DTS Virtual X |
| Connectivity | Noise | ≤27dB | ≤30dB | ≤27dB | ≤30dB |
| | HDMI | 3+HDMI 2.0b (eARC on HDMI 2) | 3+HDMI 2.0b (eARC on HDMI 2) | 3+HDMI 2.0b (eARC on HDMI 2) | 3+HDMI 2.0b (eARC on HDMI 2) |
| | USB | 2+ USB 2.0 | 2+ USB 2.0 | 2+ USB 2.0 | 2+ USB 2.0 |
| | Ethernet | 1+ LAN | 1+ LAN | 1+ LAN | 1+ LAN |
| | Digital Audio Output | 1+ S/PDIF | 1+ S/PDIF | 1+ S/PDIF | 1+ S/PDIF |
| | Analog Video Input | 1+ AV In | 1+ AV In | 1+ AV In | 1+ AV In |
| | TV Stick Compartment | 1 | 1 | 1 | 1 |
| Power | WiFi | Yes 802.11a/b/g/n/ac(Dual-Band) | Yes 802.11a/b/g/n/ac(Dual-Band) | Yes 802.11a/b/g/n/ac(Dual-Band) | Yes 802.11a/b/g/n/ac(Dual-Band) |
| | Bluetooth | Yes | Yes | Yes | Yes |
| | Power Supply | 100-240 V@ 50-60Hz | 100-240 V@ 50-60Hz | 100-240 V@ 50-60Hz | 100-240 V@ 50-60Hz |
| | Power Consumption | 175 W | 175 W | 185 W | 175 W |
| Accessories | Standby Mode | 0.5 W | 0.5 W | 0.5 W | 0.5 W |
| | Remote Control | Yes, IR & Bluetooth dual mode | Yes, IR & Bluetooth dual mode | Yes, IR & Bluetooth dual mode | Yes, IR & Bluetooth dual mode |
| | Manual | Yes | Yes | Yes | Yes |
| | Power Cord | Yes | Yes | Yes | Yes |
| General | AV Input Cable | Yes | Yes | Yes | Yes |
| | Dimensions | 23.6-13.9-5.7inch 599-353-145mm | 23.6-13.9-5.7inch 599-353-145mm | 23.6-13.9-5.7inch 599-353-145mm | 23.6-13.9-5.7inch 599-353-145mm |
| | Weight | 21.8lb/9.9kg | 23.8lb/10.8kg | 21.8lb/9.9kg | 23.8lb/10.8kg |
| | Packaged Dimensions | 29.0-19.5-11.8 inch 736-495-300 mm | 29.0-19.5-11.8 inch 736-495-300 mm | 29.0-19.5-11.8 inch 736-495-300 mm | 29.0-19.5-11.8 inch 736-495-300 mm |
| | Packaged Weight | 28.9lbs / 13.1 kg | 31.7 lbs / 14.4 kg | 28.9lbs / 13.1 kg | 31.7 lbs / 14.4 kg |
| | Working Temperature | 32-104°F / 0-40°C | 32-104°F / 0-40°C | 32-104°F / 0-40°C | 32-104°F / 0-40°C |
| | Storage Temperature | -4-140°F / -20-60°C | -4-140°F / -20-60°C | -4-140°F / -20-60°C | -4-140°F / -20-60°C |
| Humidity | 20%-80%RH | 20%-80%RH | 20%-80%RH | 20%-80%RH | |
| Atmospheric Pressure | 86-106 kpa | 86-106 kpa | 86-106 kpa | 86-106 kpa | |



| Image Size (Diagonal) | X Image Width | Y Image Height | A Image to front | B Image to rear | C Image to top | D Image to foot | E Y+D |
|-----------------------|---------------|----------------|------------------|-----------------|----------------|-----------------|-------|
| 80" | 69.7" | 39.2" | 19.9" | 6" | 7.2" | 12.9" | 52.1" |
| 100" | 87.2" | 49" | 23.7" | 9.8" | 9.4" | 15.1" | 64.1" |
| 110" | 95.8" | 53.9" | 26.6" | 12.4" | 10.2" | 15.9" | 69.8" |
| 120" | 104.6" | 58.8" | 27.5" | 13.6" | 11.3" | 17" | 75.8" |
| 135" | 117.6" | 66.1" | 32.1" | 17.9" | 12.9" | 18.6" | 84.8" |
| 150" | 130.7" | 73.5" | 34.1" | 20.2" | 13.3" | 19" | 92.5" |

Image Throw Distance Ratio (TR) = 0.25 *Unit: inches