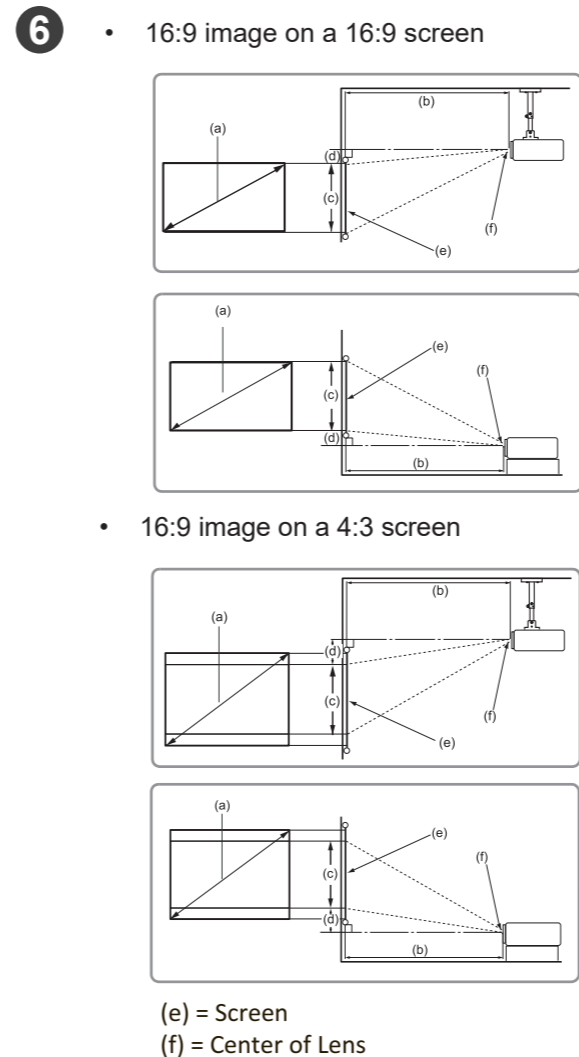
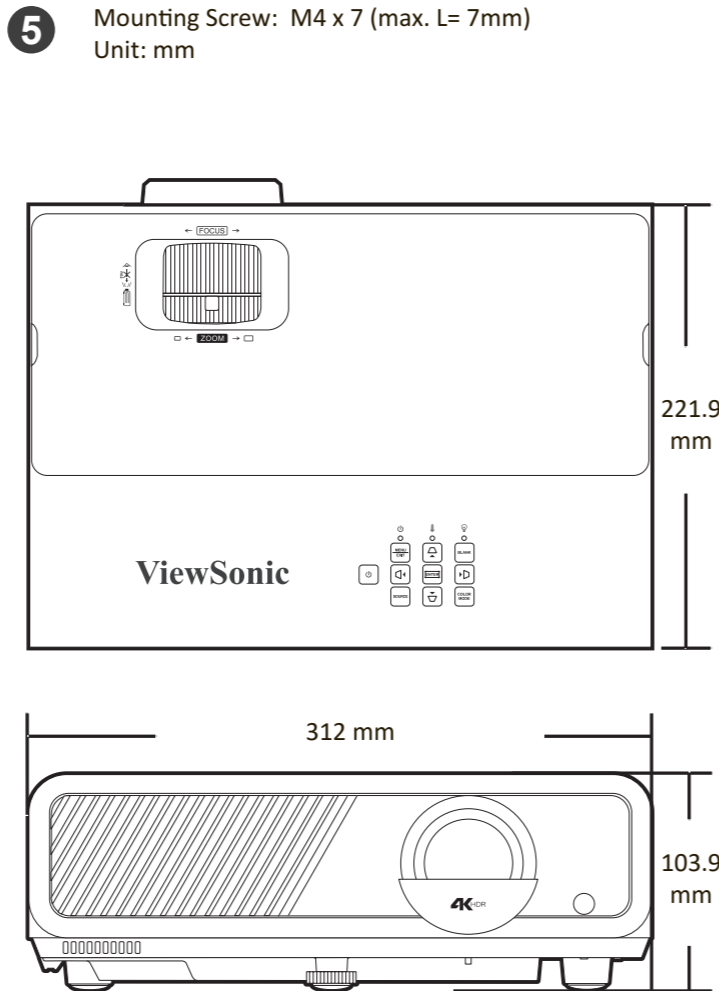
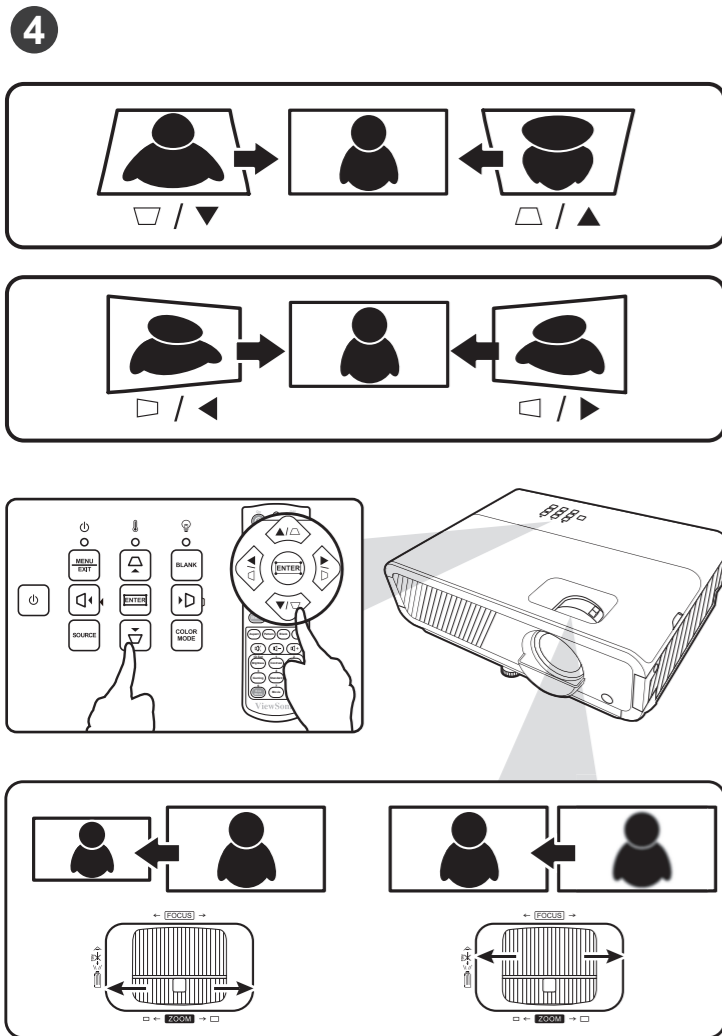
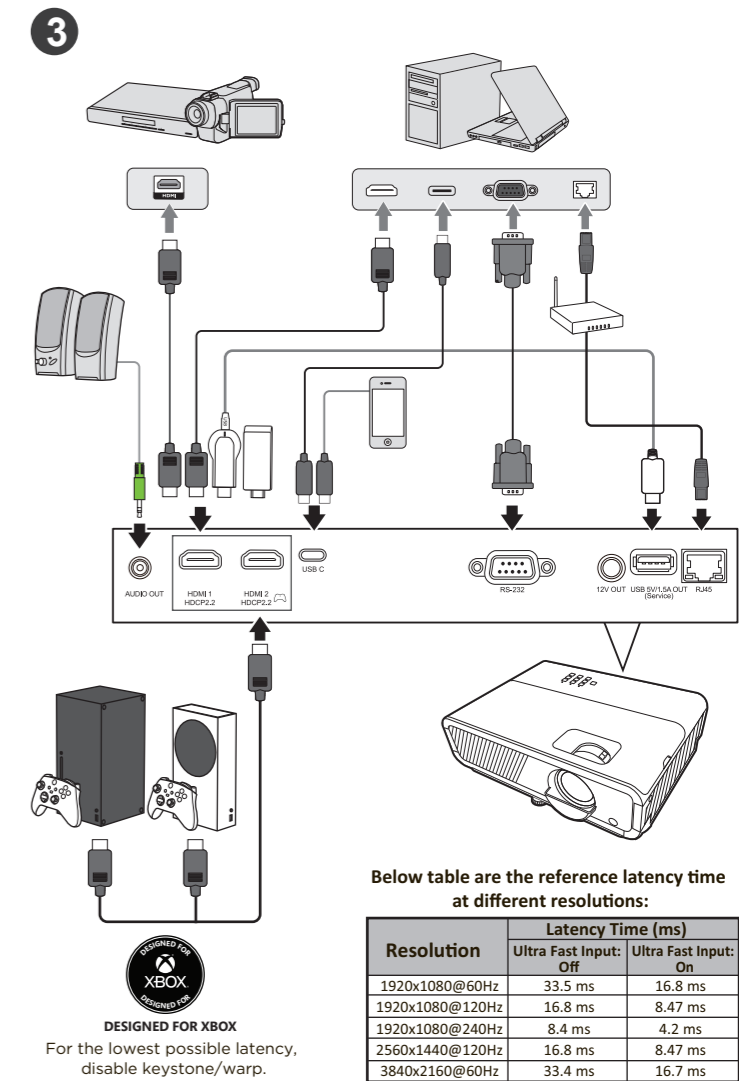
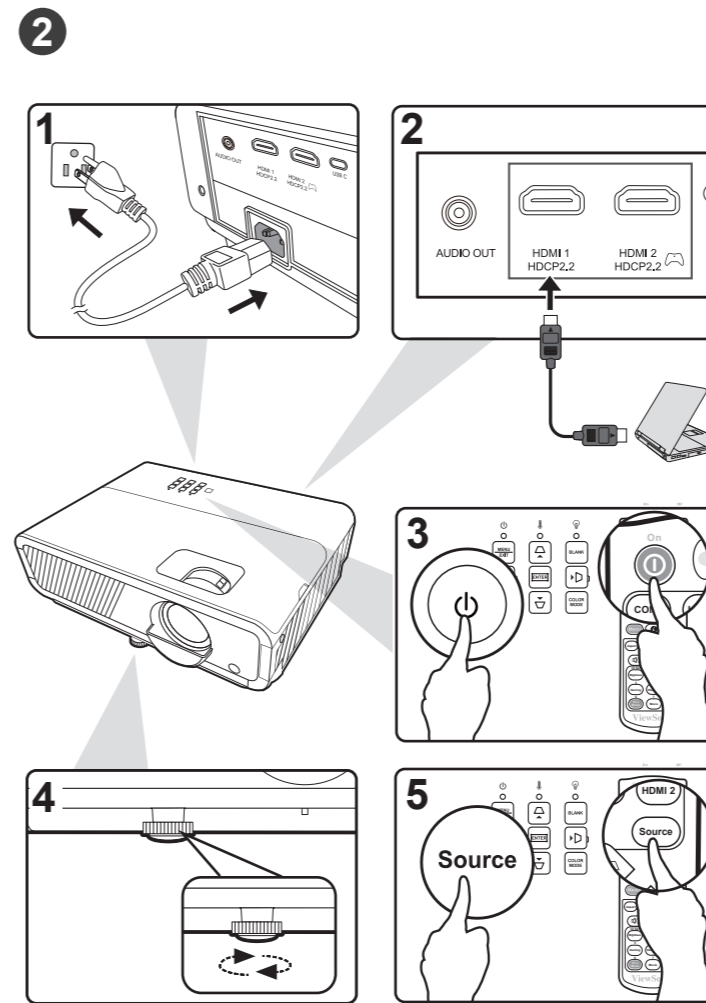
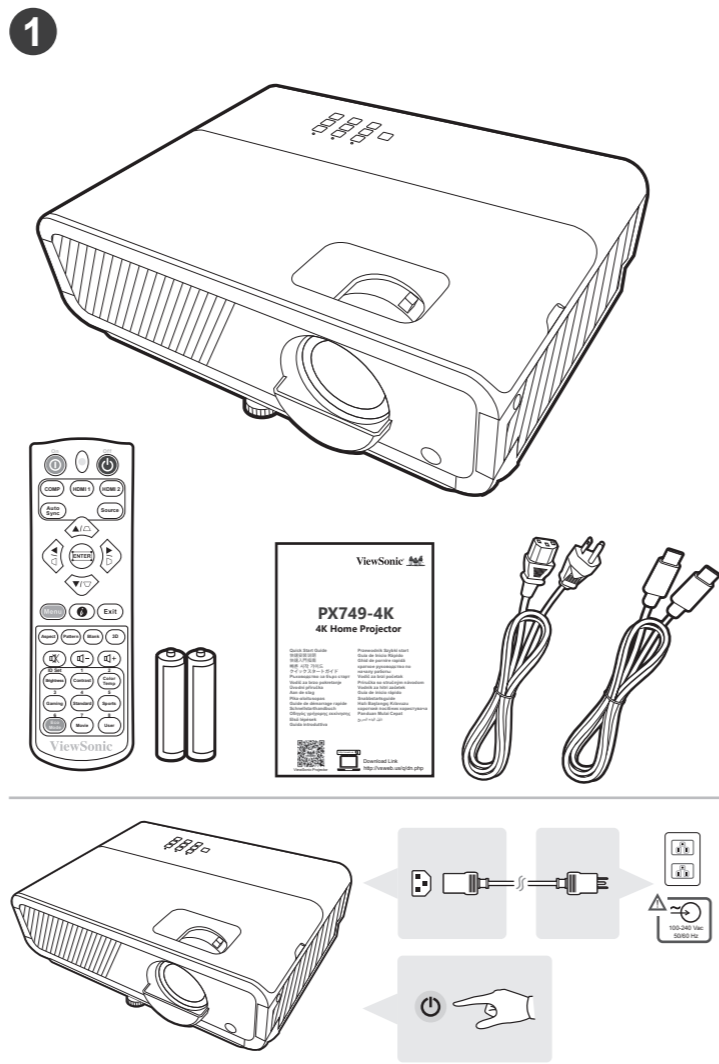


# PX749-4K

## 4K Home Projector

Quick Start Guide  
 快速安装说明  
 快速入門指南  
 빠른 시작 가이드  
 クイックスタートガイド  
 Ръководство за бърз старт  
 Vodič za brzo pokretanje  
 Úvodní příručka  
 Aan de slag  
 Pika-aloitusopas  
 Guide de démarrage rapide  
 Schnellstarthandbuch  
 Οδηγός γρήγορης εκκίνησης  
 Első lépések  
 Guida introduttiva

Przewodnik Szybki start  
 Guia de Inicio Rápido  
 Ghid de pornire rapidă  
 краткое руководство по началу работы  
 Vodič za brzi početak  
 Prírůčka so stručným návodom  
 Vodnik za hitri začetek  
 Guia de inicio rápido  
 Snabbstartsguide  
 Hızlı Başlangıç Kılavuzu  
 короткий посібник користувача  
 Panduan Mulai Cepat  
 دليل البدء السريع



16:9 image on a 16:9 Screen											
(a) Screen Size	(b) Projection distance				(c) Image height		(d) Vertical offset				
	min.		max.		height		min.		max.		
inch	mm	inch	mm	inch	mm	inch	mm	inch	mm	inch	mm
60	1524	59	1496.8	77	1945.9	29	747	2.9	74.7	2.9	74.7
70	1778	69	1746.3	89	2270.2	34	872	3.4	87.2	3.4	87.2
80	2032	79	1995.8	102	2594.5	39	996	3.9	99.6	3.9	99.6
90	2286	88	2245.3	115	2918.8	44	1121	4.4	112.1	4.4	112.1
100	2540	98	2494.7	128	3243.2	49	1245	4.9	124.5	4.9	124.5
110	2794	108	2744.2	140	3567.5	54	1370	5.4	137.0	5.4	137.0
120	3048	118	2993.7	153	3891.8	59	1494	5.9	149.4	5.9	149.4
130	3302	128	3243.2	166	4216.1	64	1619	6.4	161.9	6.4	161.9
140	3556	138	3492.6	179	4540.4	69	1743	6.9	174.3	6.9	174.3
150	3810	147	3742.1	192	4864.7	74	1868	7.4	186.8	7.4	186.8
160	4064	157	3991.6	204	5189.1	78	1992	7.8	199.2	7.8	199.2
170	4318	167	4241.1	217	5513.4	83	2117	8.3	211.7	8.3	211.7
180	4572	177	4490.5	230	5837.7	88	2241	8.8	224.1	8.8	224.1
190	4826	187	4740.0	243	6162.0	93	2366	9.3	236.6	9.3	236.6
200	5080	196	4989.5	255	6486.3	98	2491	9.8	249.1	9.8	249.1

16:9 image on a 4:3 Screen											
(a) Screen Size	(b) Projection distance				(c) Image height		(d) Vertical offset				
	min.		max.		height		min.		max.		
inch	mm	inch	mm	inch	mm	inch	mm	inch	mm	inch	mm
60	1524	54	1373.9	70	1786.1	27	686	2.7	68.6	2.7	68.6
70	1778	63	1602.9	82	2083.8	32	800	3.2	80.0	3.2	80.0
80	2032	72	1831.9	94	2381.5	36	914	3.6	91.4	3.6	91.4
90	2286	81	2060.9	105	2679.1	41	1029	4.1	102.9	4.1	102.9
100	2540	90	2289.9	117	2976.8	45	1143	4.5	114.3	4.5	114.3
110	2794	99	2518.9	129	3274.5	50	1257	5.0	125.7	5.0	125.7
120	3048	108	2747.8	141	3572.2	54	1372	5.4	137.2	5.4	137.2
130	3302	117	2976.8	152	3869.9	59	1486	5.9	148.6	5.9	148.6
140	3556	126	3205.8	164	4167.6	63	1600	6.3	160.0	6.3	160.0
150	3810	135	3434.8	176	4465.2	68	1715	6.8	171.5	6.8	171.5
160	4064	144	3663.8	188	4762.9	72	1829	7.2	182.9	7.2	182.9
170	4318	153	3892.8	199	5060.6	77	1943	7.7	194.3	7.7	194.3
180	4572	162	4121.8	211	5358.3	81	2057	8.1	205.7	8.1	205.7
190	4826	171	4350.7	223	5656.0	86	2172	8.6	217.2	8.6	217.2
200	5080	180	4579.7	234	5953.6	90	2286	9.0	228.6	9.0	228.6

There is 3% tolerance among these numbers due to optical component variations. It is recommended that if you intend to permanently install the projector, you should physically test the projection size and distance using the actual projector in situ before you permanently install it, so as to make allowance for this projector's optical characteristics. This will help you determine the exact mounting position so that it best suits your installation location.

