

SONY



VPL-XW5000ES

Native 4K | Laser | 2,000lm

The world's most compact
native 4K laser projector

VPL-XW5000ES

Bright, immersive entertainment from a native 4K laser projector.

Savour the action with up to 2,000 lumens of high brightness, generated by a long-lasting laser light source, for vibrant images even on a large screen.



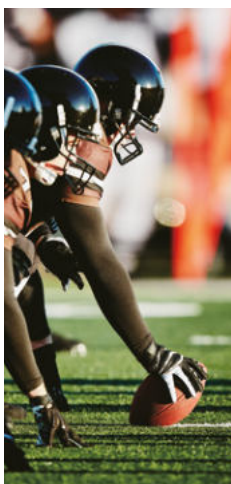
At a glance

- New Native 4K 0.61" SXR D panel (3,840 x 2,160)
- 2,000 ANSI lumens
- Wide dynamic range optics
- X1 Ultimate for Projector
- IMAX Enhanced picture mode
- Compact chassis available in Black and White

All-new Native 4K SXR D™ panel



Experience incredibly lifelike pictures with native 4K that offers 8.3 million pixels (3,840 x 2,160). With an all-new 0.61-inch SXR D panel, you'll enjoy high brightness, inky blacks, vibrant colours, rich tones and textures, plus clear cinematic motion and image smoothness.



Long-lasting 2,000 lm brightness

Immerse yourself in the large-scale action with bright and bold images. Engineered with our newly developed Native 4K SXR D™ (Silicon X-tal Reflective Display) panel and Wide Dynamic Range Optics, the VPL-XW5000ES brings you a truly immersive experience.

X1 Ultimate for Projector



Optimises our acclaimed BRAVIA TV video processing for projection. The incredible power of this video engine enables advanced data processing, with real-time enhancement of each on-screen object. The result is high dynamic range imagery with texture, colour, contrast and realism only available from Sony's home cinema projectors.

World's most compact native 4K laser projector*



We've designed the VPL-XW5000ES to be even smaller and lighter than its predecessors by developing the all-new Native 4K SXR D™ panel and compact Wide Dynamic Range Optics. This laser projector is about 30% smaller in volume and about 35% lighter than the VPL-VW790ES, delivering the same high brightness.

*As of April 2022, according to research by Sony Corporation in the native 4K projectors market.

IMAX Enhanced Picture Mode

Sony 4K projectors are compatible with IMAX Enhanced content, making them ready to deliver the bigger, more breathtaking IMAX visuals you love in compatible content. Take advantage of the size of your projector screen with movies that become even more immersive with IMAX Enhanced.

Triluminous Pro



See over a billion colours come to life with TRILUMINOS PRO. Our unique TRILUMINOS PRO algorithm can detect colour from saturation, hue and brightness to reproduce natural shades in every detail. You'll enjoy colours that are closer to those seen in the real world.

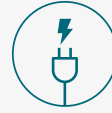
Designed with the environment in mind



25% less plastic in body



20% smaller package



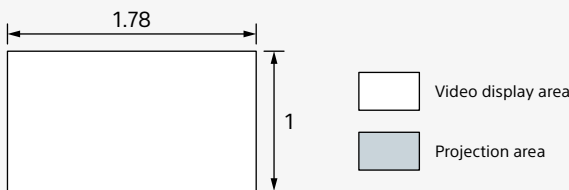
30% less power per lumen



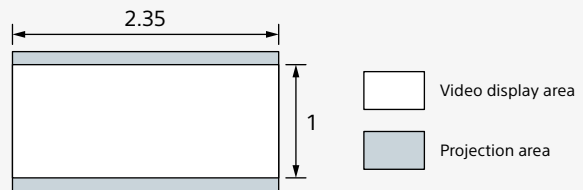
0% Mercury usage

This 4K projector is full of bright ideas—not only for your home entertainment but also for a sustainable future. To reduce our footprint, we created a mercury-free design with a laser light source. We also reduced the amount of virgin plastic used in the main body by more than 25% and the packaging materials by more than 15% compared to the VPL-VW790ES.

Projection distance



1.78:1 (16:9)		
Projection image size		Projections distance L
Diagonal	Width × Height	
60" (1.52m)	1.33m × 0.75m (52" × 29")	1.82m – 2.92m (72" – 115")
80" (2.03m)	1.77m × 1.00m (70" × 39")	2.44m – 3.91m (96" – 154")
100" (2.54m)	2.21m × 1.25m (87" × 49")	3.06m – 4.89m (121" – 192")
150" (3.81m)	3.32m × 1.87m (131" × 74")	4.60m – 7.36m (181" – 289")
200" (5.08m)	4.43m × 2.49m (174" × 98")	6.13m – 9.82m (242" – 386")
300" (7.62m)	6.64m × 3.74m (261" × 147")	9.21m – 14.75m (363" – 580")



2.35:1		
Projection image size		Projections distance L
Diagonal	Width × Height	
60" (1.52m)	1.40m × 0.60m (55" × 23")	1.93m – 3.09m (76" – 121")
80" (2.03m)	1.87m × 0.80m (74" × 31")	2.58m – 4.13m (102" – 162")
100" (2.54m)	2.34m × 0.99m (92" × 39")	3.23m – 5.17m (127" – 203")
150" (3.81m)	3.51m × 1.49m (138" × 59")	4.85m – 7.77m (191" – 306")
200" (5.08m)	4.67m × 1.99m (184" × 78")	6.48m – 10.37m (255" – 408")
300" (7.62m)	7.01m × 2.98m (276" × 117")	9.73m – 15.57m (383" – 613")

Specification

Display system		4K SXRD panel, projection system
Display device	Size of effective display area	0.61" x 3
	Number of pixels	24,883,200 (3840 x 2160 x 3) pixels
Projection lens	Focus	Manual
	Zoom	Manual (Approx. x 1.60)
	Lens shift	Manual, Vertical +/- 71 %, Horizontal +/- 25 %
	Throw ratio*1	1.38:1 to 2.21:1
Light source		Laser diode
Recommended lamp replacement time*2		-
Light output		2,000 lm
Dynamic contrast		∞ : 1
Accepted digital signals	720 x 576/50p	3840 x 2160/24p
	720 x 480/60p	3840 x 2160/25p
	1280 x 720/50p	3840 x 2160/30p
	1280 x 720/60p	3840 x 2160/50p
	1920 x 1080/50i	3840 x 2160/60p
	1920 x 1080/60i	4096 x 2160/24p
	1920 x 1080/24p	4096 x 2160/25p
	1920 x 1080/50p	4096 x 2160/30p
	1920 x 1080/60p	4096 x 2160/50p
	1920 x 1080/120p	4096 x 2160/60p
Input Output (Computer / Video / Control)	HDMI	x 2 (HDCP2.3)
	Display Port	-
	Trigger	x 1 (Mini jack, DC 12 V, Max. 100 mA)
	RS-232C	x 1 (D-sub 9-pin (male))
	LAN	x 1 (RJ-45, 10BASE-T/100BASE-TX)
	IR IN / OUT	IN: x 1 (Mini jack)
	3D SYNC OUT	-
	USB	x 1 (Type A, DC 5 V, Max. 500 mA)
Picture processor		X1™ Ultimate for projector
Object-based HDR remaster		Yes
Dynamic HDR Enhancer		Yes
Object-based Super Resolution		Yes
Dual database processing		Yes
Digital Contrast Optimizer		Yes
Digital Focus Optimizer		Yes
Dynamic contrast control		Dynamic laser control
Motionflow		Yes
HDR Format		HDR10/HLG
3D		-
Picture position memory		-
Input lag reduction		Yes (4K/2K)
Acoustic noise*3		24 dB
Power requirements		AC 100-240 V, 50/60 Hz
Power consumption		295 W
	Standby	0.3 W (when "Remote Start" is set to "Off")
	Networked Standby	0.5 W (LAN) (when "Remote Start" is set to "On") When a LAN terminal is not connected, it becomes a low power consumption mode.
Dimensions (Without Protrusions)		W 460 x H 200 x D 472 mm (W 18 1/8 x H 7 7/8 x D 18 19/32 in)
Mass		Approx. 13 kg / 28 lb
Supplied accessories		Remote Control (RM-PJ28), Size AA (R6) manganese batteries (2), AC Power Cord (1), Lens Cap (1), Setup Guide (1)
Optional accessories		-

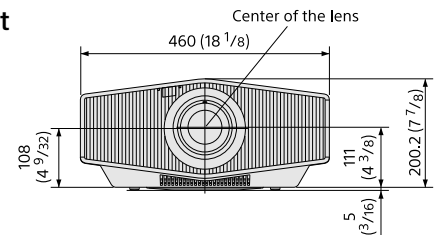
Connector panel



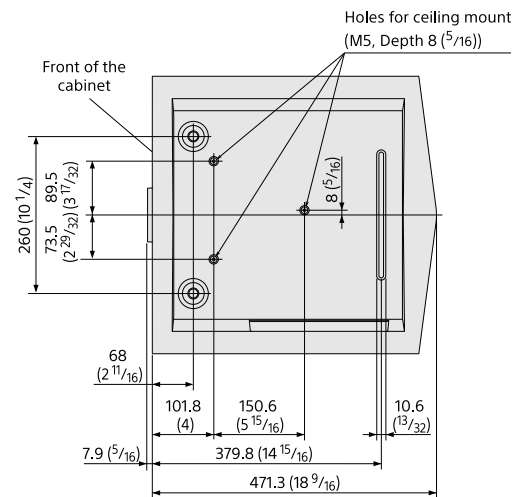
Dimensions

Unit: mm (in)

Front



Bottom



*1 Display size: 16:9

*2 The figures are expected maintenance time and not guaranteed. They will depend on the environment or how the projector is used.

*3 Depends on the projector setting condition and usage environment.